

VERSALIFT

VDTL175-F

Van mounted dual
telescopic platform



Available for class B
driving licence



LMC controls with
variable outreach



3.5 t GVW



Compact total
installation length



Emergency lowering
controls at the pedestal



VERSALIFT

A **TIME** MANUFACTURING COMPANY

VDTL175-F - Mercedes-Benz Sprinter

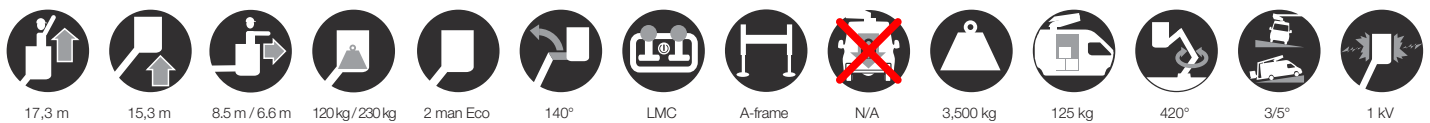


Emergency operation from ground (valve-bank mounted on pedestal)

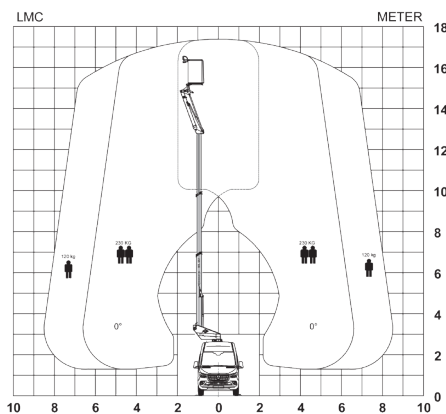
Better performance (additional working height and outreach)

Designed to support up to 265 kg (depending on the stability of the vehicle)

■ Length: 7,200 mm ■ Height: 3,490 mm ■ Wheelbase: 3,665 mm



Diagramme(s)

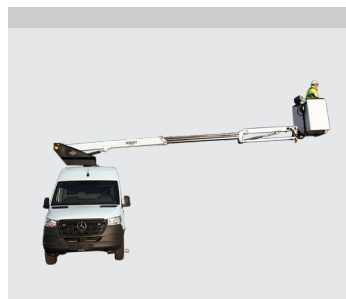


Options

- LED ceiling lights (in the load area)
- Safety stripes (red/white)
- Reversing camera
- Removable LED spotlight
- Display in the upper control panel
- Bucket rotator (2 x 90°)
- Display in the upper control panel
- Limited working area without outriggers



The shaped profile ultra high strength steel booms provide improved rigidity, stiffness and performance



Turret/knuckle tail swing within the mirrors



Workshop interior (optional)



LMC (Load Moment Controls): Variable outreach and up to 2 actions at a time (1 per joystick)

Notes

Technical information is subject to change without prior notice. Images may show optional equipment. Installations and/or options may not be available in your specific region.

* Depending on the vehicle.

** Max payload with a driver, a passenger and a full tank of fuel (220 kg added to the installation weight).

Distributor

Versalift International
Soendervang 3, 9640 Farsøe
Denmark

+45 9863 2433
sales@versalift.dk
versaliftinternational.com