

Technical data

LE 15 GT

TEUPEN[®]
...access redefined

since '77

PERFORMANCE

Working height, max.	14,70 m
Platform height, max.	12,70 m
Horizontal outreach, max. (200 kg)	7,60 m
Up and over clearance, max.	5,40 m
Platform capacity, max.	200 kg
Jib, movable	-
Turntable rotation, max.	355 °
To be jacked up on ground slope of	13,0 ° / 23,0 %
Track drive, height- and width-adjustable	12 / 18 cm
Gradeability, max.	16,7 ° / 30,0 %
Slope angle, max.	16,7 ° / 30,0 %
Travel speed, max.	1,0 km/h

MEASUREMENTS*

Platform (height) (A)	1,10 m
Platform (length) (B)	1,40 m
Platform (width) (C)	0,70 m
Length (D)	5,25 m
Length without platform (E)	4,52 m
Height (F)	1,99 m
Width, min. (G)	0,78 m
Ground clearance, max. (H)	0,42 m
Track (length x width) (I)	1,33 m x 0,18 m
Outrigger footprint (length) (J)	3,61 m
Outrigger footprint (width) (K)	3,15 m
Outrigger plate Ø	0,18 m

WEIGHT*

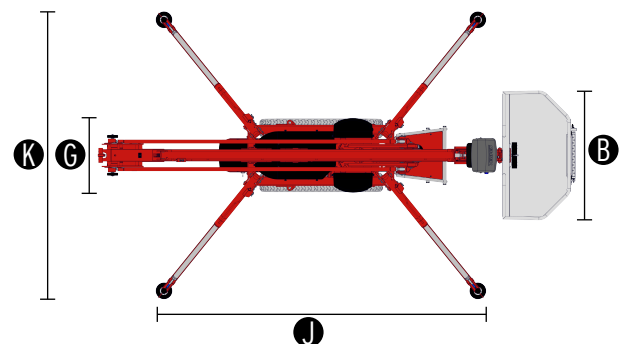
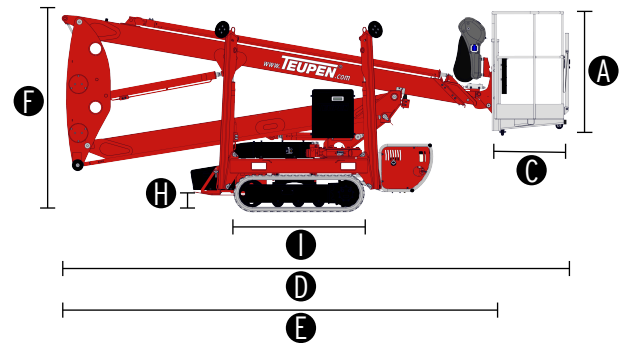
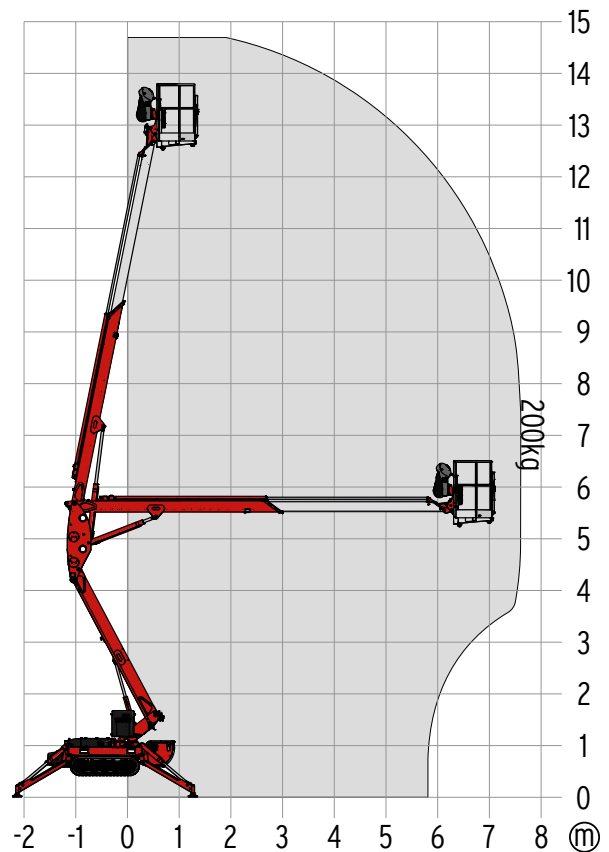
Total weight	1803 kg
Live load in travelling position	4,69 kN/m ²
Live load in working position	1,98 kN/m ²
Point load per outrigger plate, max.	12,80 kN

POWER SOURCES

Standard power sources:	
■ Electric motor	(230 V, 12,9 A, 2,2 kW)
■ Combustion engine (Diesel)	Hatz 1B30 (5,4 kW / 7,2 hp)
Fuel tank capacity (Diesel engine)	5,0 l

POWER SUPPLY

Electric current, max.	230 V / 16 A
------------------------	--------------



STANDARDS

2006/42/EG-Machinery directive
(Harmonised standard EN280:2001 + A2:2009); 2004/108/EG (EMV)
2000/14/EG (Noise emission directive)

* The technical data may deviate +/- 3 % from the specified values.
* Weight and dimensions may vary depending on options and accessories.
**Option

CHASSIS

- Powerful track drive with hydraulic braking system
- Precise manoeuvring via sensitive remote control
- White, non-marking rubber tracks with specially arranged profile for optimal grip

STABILISATION

- Electrohydraulic stabilisation with automatic levelling and ground pressure sensor system
- Wear resistant, ant-friction outrigger pads

BOOM SYSTEM

- All functions available from the platform
- Removable cable remote control Robust, lockable control panel
- Parallel guided platform with hydraulic levelling system
- Turntable rotation via high-performance slewing ring, worm gear and hydraulic motor

POWER SOURCE

- Electric motor (230 V, 12,9 A, 2,2 kW)
- Diesel engine Hatz 1B30 Diesel engine Hatz 1B30
- Start-stop device for combustion engine in the platform

PRODUCTIVITY, SAFETY, QUALITY

- Hydraulic emergency lowering via hand pump
- Power socket in the platform (110 V / 16 A)
- Detachable platform, including attachment point for safety harnesses
- Drive operation without platform possible
- Protected, internal power track for platform control
- Impact resistant cover over control box and control panel
- Hydraulic system filled with biodegradable hydraulic oil
- High-quality paint in RAL 3020 (red)
 - Hydraulic cylinders in RAL 9006 (grey)
- Unlockable check valves located directly on hydraulic cylinders
- Hydraulic system protected by pressure relief valves
- Hydraulic tank, emergency control, connecting cables and hoses are mounted protected
- Solid base frame with full-length forklift pockets
- Hour meter
- Fuzzy control technology

OPTIONS*

- Custom paintwork, one colour, according to RAL scheme
 - (except metallic coatings, signal- or special colours)
- Custom paintwork, two colours, according to RAL scheme
 - (except metallic coatings, signal- or special colours)
- Mechanically height- and width-adjustable track drive

ACCESSORIES*

- Safety harness
- 4 sliding pads (700 x 220 x 60 mm)
- Track mat (2000 x 800 x 15 mm)
- Lifting device (200 kg capacity)
 - Only in combination with mounting for lifting device
- Mounting for lifting device
- 4 covers, piston rod (outrigger)
- TOP level 1

TRAILER

- Tandem low platform trailer (aluminium)
 - Maximum permissible weight (3,0 t)
 - Net weight (450 kg)
 - Payload (2550 kg)
- Tandem low platform trailer (aluminium)
 - Maximum permissible weight (3,0 t)
 - Net weight (440 kg)
 - Payload (2560 kg)
- Tandem low platform trailer (steel)
 - Maximum permissible weight (3,0 t)
 - Net weight (481 kg)
 - Payload (2519 kg)

CONTACT

TEUPEN Maschinenbau GmbH
Marie-Curie-Str.13
48599 Gronau
Germany

Phone +49 2562 8161-0
Fax +49 2562 8161-888
E-mail mail@teupen.com

* Weight and dimensions may vary depending on options and accessories.

Product specifications are subject to change without notice or obligation. Photographs and drawings in this document are for illustrative purposes only. Refer to the appropriate Operator's Manual for instructions on the proper use of this equipment. Failure to follow the appropriate Operator's Manual when using our equipment or to otherwise act irresponsibly may result in serious injury or death. The only warranty applicable to our equipment is the standard written warranty applicable to the particular product and sale and we make no other warranty, expressed or implied. Products and services listed may be trademarks, service marks or trade-names of TEUPEN Maschinenbau GmbH and/or its subsidiaries in the U.S.A. and many other countries. "TEUPEN", "Access redefined" and "LEO Series" are registered Trademarks of Teupen GmbH in the United States of America and many other countries. © 2018 TEUPEN Maschinenbau GmbH.



2019-A_en_GB