

**RUTHMANN**  
professionals at work

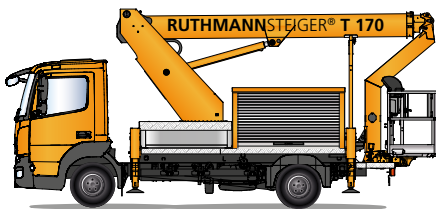
## STEIGER® T 170



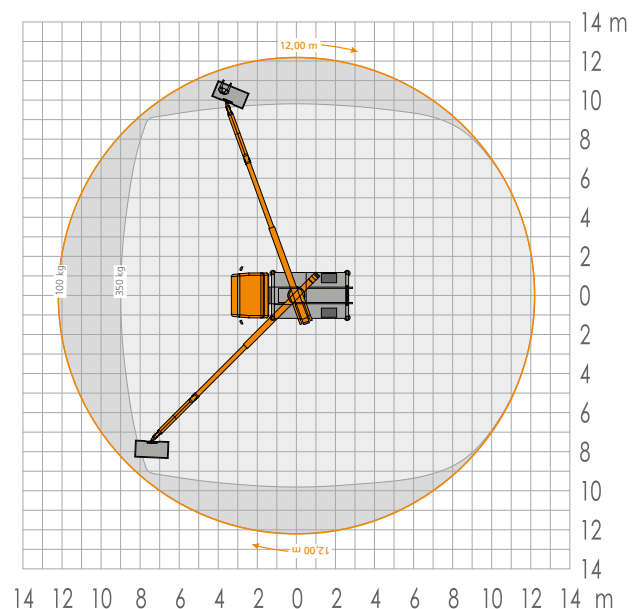
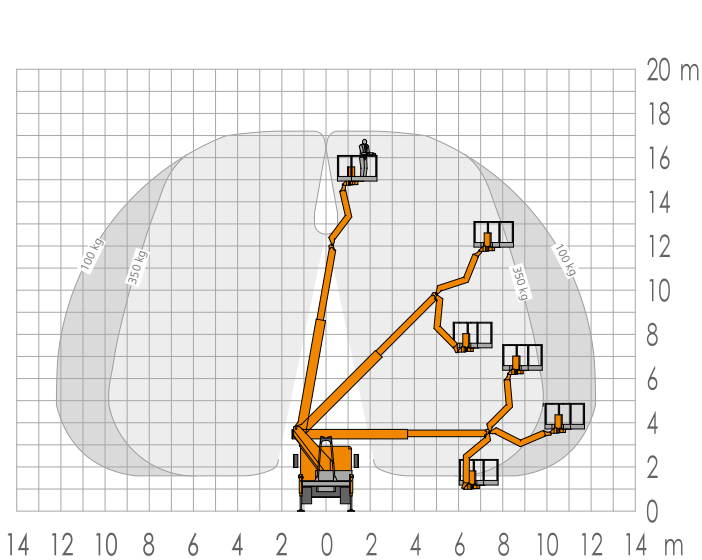
more information: [www.ruthmann.de/t170en](http://www.ruthmann.de/t170en)

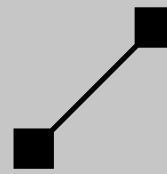
### RUTHMANNSTEIGER® T 170

Compact category on a 7.49 t chassis.



- 17 m working height
- 12 m lateral outreach at 100 kg basket load capacity
- Designed for 7.49 t chassis (many chassis varieties to choose from)
- 2-section telescoping boom system
- 2 x 85° basket rotation device
- Interchangeable basket system
- 185° jib (RÜSSEL®) swivelling range
- Short overall length of just 7.48 m
- 350 kg basket load
- Modern COCKPIT control panel
- ...and so much more





## STEIGER® T 170

Municipalities, energy providers, infrastructure development companies, and also equipment rental companies need truck-mounted aerial work platforms that are as versatile as possible. Our new STEIGER® T 170, mounted on a 7.49 t chassis, is simply ideal.

With a total vehicle length of 7.48 m, height of 3.46 m and 3.6 m wheelbase, the T 170 is extremely compact in size. It features a working height of 17 m, lateral outreach of 12 m, and a circular range of motion (100 kg basket load). These features, coupled with the 185° movable jib (RÜSSEL®), provide maximum versatility and agility at the jobsite.

The impressive 600 kg pay load of this professional work platform is an added advantage. A wide range of optional equipment – box bodies for necessary tools and materials, cab covers, LED marker lights, aluminum platform gates, work basket guard rails, etc. – is available without exceeding the gross vehicle weight rating. The four hydraulic vertical support cylinders – attached directly to the base frame of the STEIGER® – provide the necessary stability. For every assignment, the work platform is stabilized within the contours of the vehicle. The supports can either be extended/retracted at the same time or individually.

General principle: If there is enough space for the truck, the STEIGER® will be able to carry out its assignment. This type of support mechanism is ideal when working in heavy traffic. Tasks include street light and transformer maintenance and tree-cutting projects. The automatic set-up/

retraction mechanism and 5° permissible inclination are also standard features on this STEIGER® model.

The new work basket on the T 170 is an excellent place to work. In addition to the full 350 kg load capacity, it also comes with an interchangeable basket system. Depending on the assignment, operators can use the standard aluminium (1.7 m x 0.86 m) basket or other optional work baskets. These include the extra wide (2.1 m x 0.86 m) work basket, the narrow tree cutting basket, or the synthetic basket. The insulated synthetic basket and standard “boom to chassis” insulation allow assignments to be carried out on live (up to 1000V) power lines.

The turret, 2-section telescoping boom system, and jib (RÜSSEL®) on the T 170 are made of ultra-high strength, fine-grained steel. Compared to other models in the T-Series, the jib (RÜSSEL®) and work basket console have been optimized to suit the specific needs of power utility companies, municipalities, and craftsmen. The new and ultra-modern

control panel in the work basket – known as the “Cockpit” – further enhances safety and facilitates ergonomic, fatigue-free handling.

In addition, the T 170 is EURO 6 compatible and can be mounted onto a great variety of different chassis/models including MAN, Mercedes-Benz, Volvo, and DAF.

Contact us by phone, fax, or email to learn more about the performance capabilities and advantages of our time-tested STEIGER® products. We look forward to hearing from you.



### RUTHMANNSTEIGER® T 170

	Working height	17.00 m		Total length ≥	7.48 m
	Lifting height	15.00 m		Permissible inclination	5°
	Outreach	12.00 m		Permissible total weight ≥	7,490 kg
	Work basket size	1.70 x 0.86 m		Range of rotation	540°
	Work basket load capacity	350 kg		Wheelbase carrier chassis ≥	3.60 m
	Total height ≥	3.49 m		Driving licence	C1

All data has been included without warranty. All measurements and weights are approximate and refer to the standard basic execution. Technical alterations reserved. STEIGER®, GELENKSTEIGER®, RÜSSEL® and CARGOLOADER® are registered trademarks of RUTHMANN GmbH & Co. KG

**Ruthmann GmbH & Co. KG**

Postfach 1263 - 48705 Gescher-Hochmoor - GERMANY  
Fon: +49 2863 204-0 - Fax: +49 2863 204-212  
Internet: www.ruthmann.de - E-Mail: export@ruthmann.de

All pictures in cooperation with Movie Park Germany!

